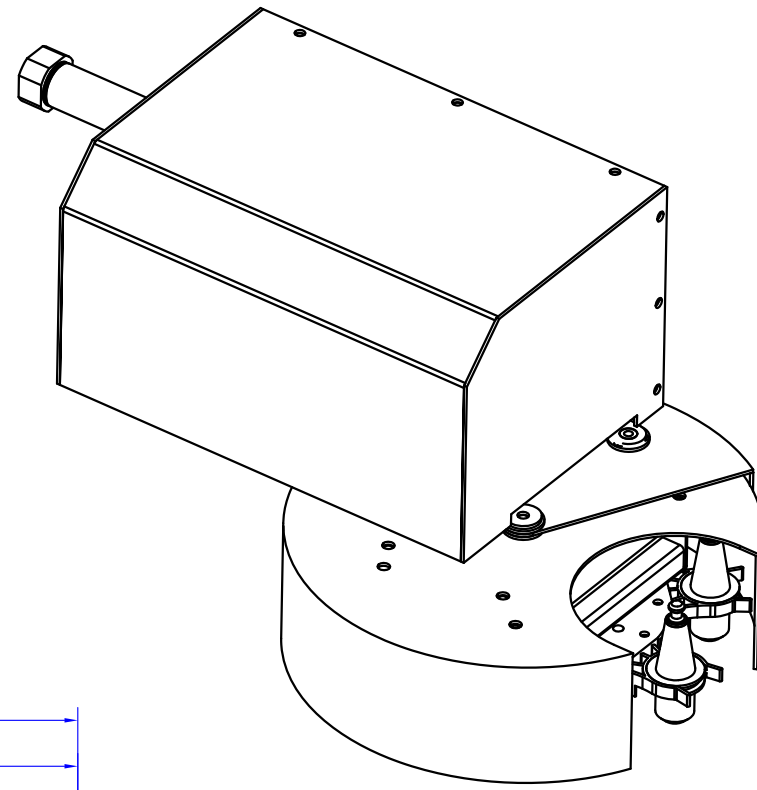


SKYFIRE CNC

AUTO TOOL CHANGER

DATASHEET

ATC-ISO20-8T



Model: ATC-ISO20-8T

Max Tool Capacity: 8

Max Tool Weight: 2.0kg

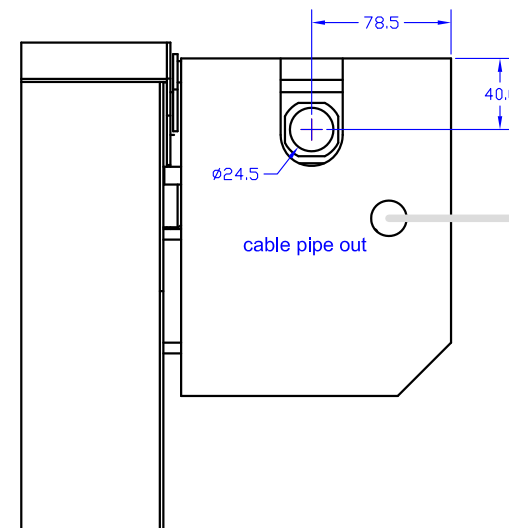
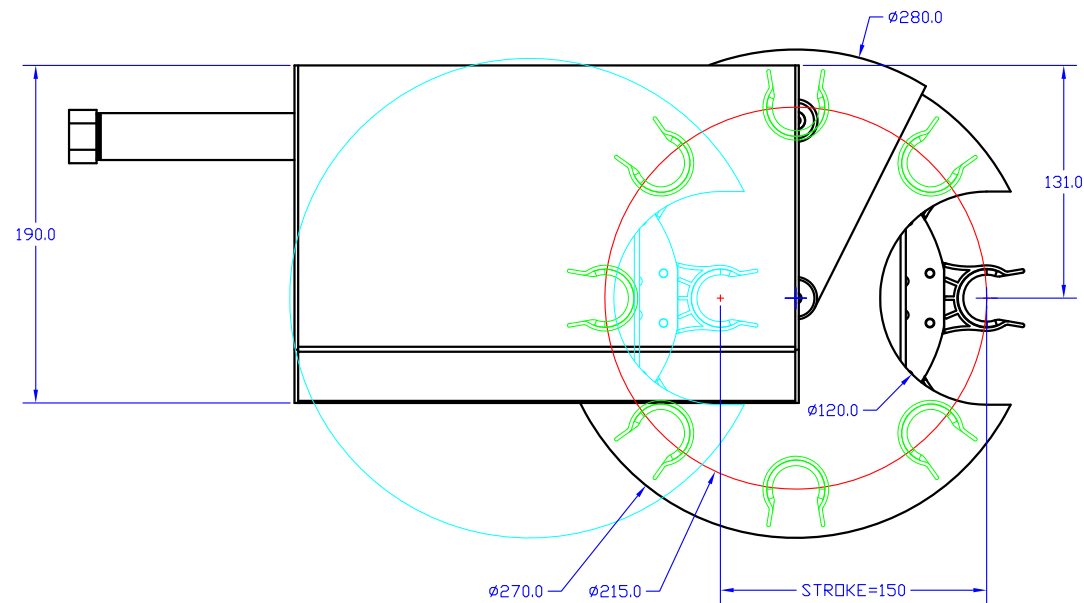
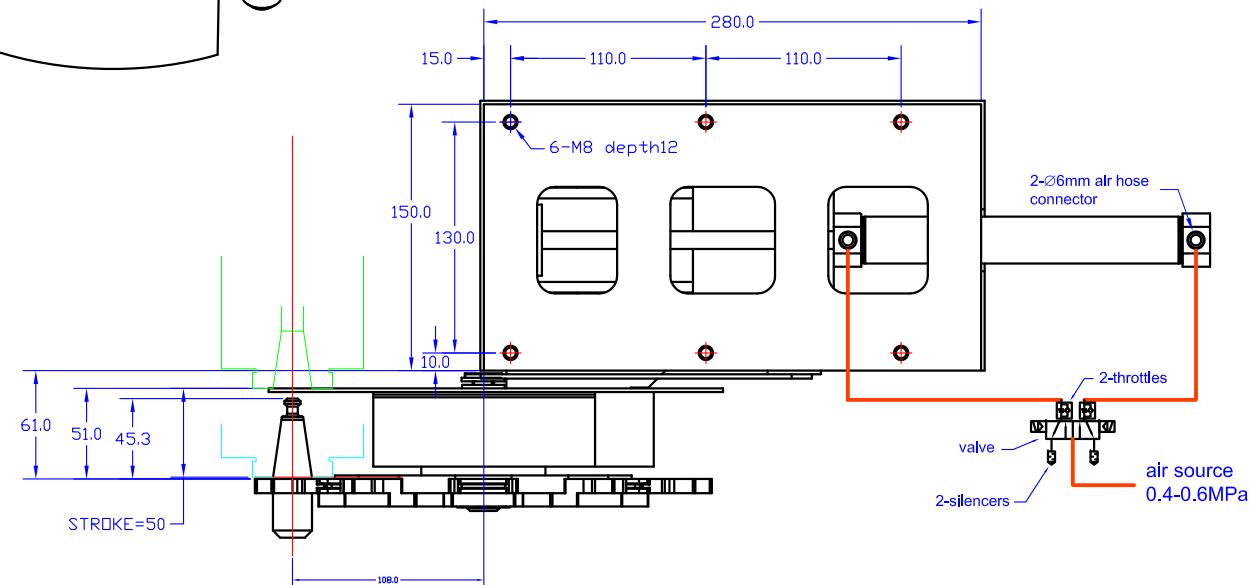
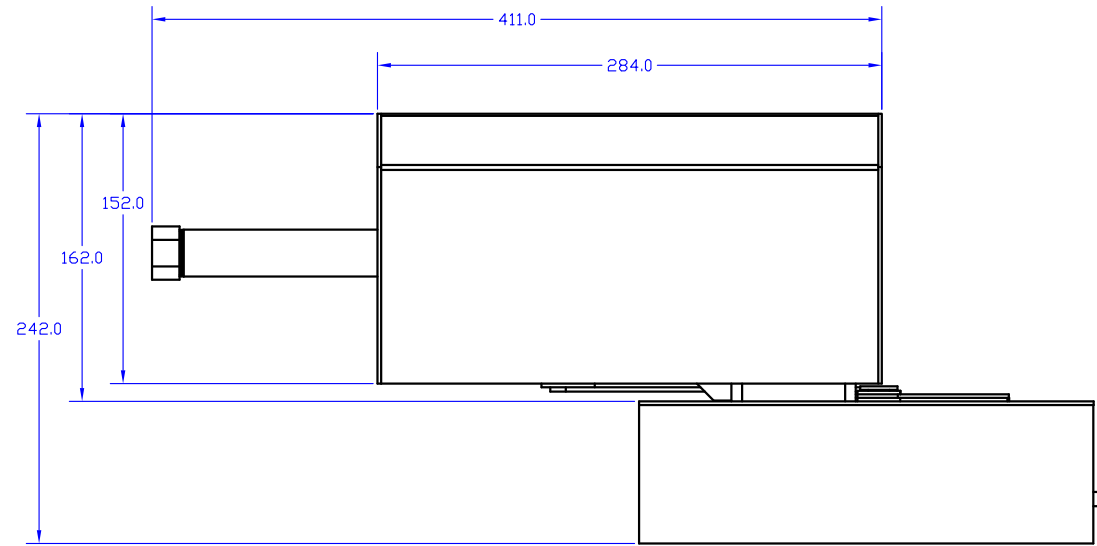
Cylinder Stroke: 150mm

Too chain Division Time: 0.6s/50Hz(0.5sec/60Hz)

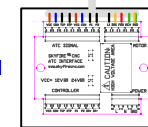
Control Element: Active LOW

Control IO Voltage: 12VDC/24VDC optional

Power Voltage: 220VAC/120VAC optional



ATC control box



VCC: +12V or +24VDC (depend on the PCB mark)
 COM: 0VDC
 TCP: tool changing position signal out (NPN output)
 STP: standby position signal out (NPN output)
 P1: tool counting signal out (NPN output)
 P2: NC (optional TOOL1 HOME signal out)
 DR+: carousel rotate CW signal in (active LOW)
 DR-: carousel rotate CCW signal in (active LOW)

L: power phase line (220VAC 50/60Hz, other voltage please contact us)
 N: power null line
 GND: connect to earth