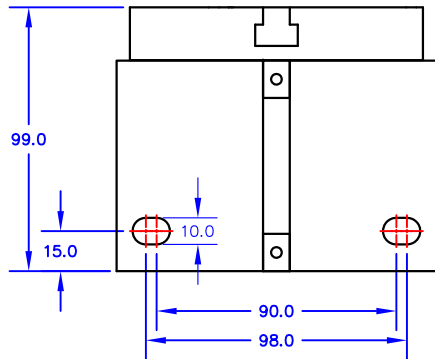
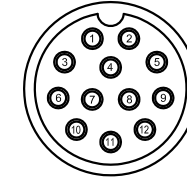


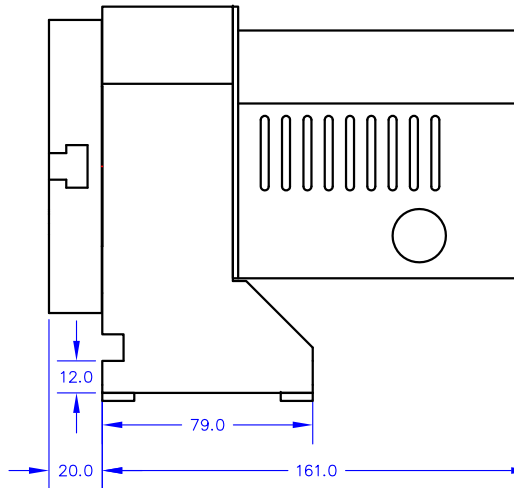
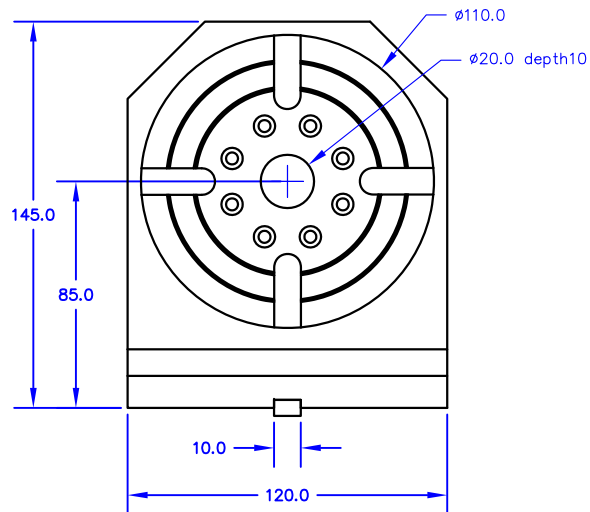
4" Harmonic Drive Vertical 4th Axis Set HVR-4 series



Mechanical Specifications	
Table Diameter:	Ø110mm
Center Height:	85mm
Center Bore Diameter:	Ø20.0
Locating Key Width:	10mm
Reduction Ratio:	100:1
Max Rotate Speed:	20rpm
Backlash:	0
Repeatable Tolerance:	3'-0"
Max Torque Output:	25N.m
Electric Specifications	
Rotary Table Driving:	closed loop stepper motor
Home Proximity:	Active Low
Accessories Included	
Closed Loop Stepper Driver	1pcs
Switch Power Supply	1pcs
Connector Set	1set
Optional Parts	
80mm 3-Jaw Chuck+Adapter Kit	



Signal Connector Pin Definition		
Pin	Def.	Remark
1	HOME	home proximity signal
2	+12V	home proximity +12V
3	EVCC	encoder power VCC
4	EGND	encoder power GND
	+COM	+HOME proximity COM
5	EA+	encoder A+ pulse
6	EA-	encoder A- pulse
7	EB+	encoder B+ pulse
8	EB-	encoder B- pulse
9	NC	
10	U	motor phase U
11	V	motor phase V
12	W	motor phase W



Key Features

Super high accurate **HARMONIC** driving with **ZERO** backlash

High rotation accuracy with precision crossed roller bearing

Strong cast iron body and steel rotary table

Full sealed inner structure to prevent coolant and chips get inside

Maintainless and long life design

Closed loop driving with encoder feedback

Homing proximity integrated