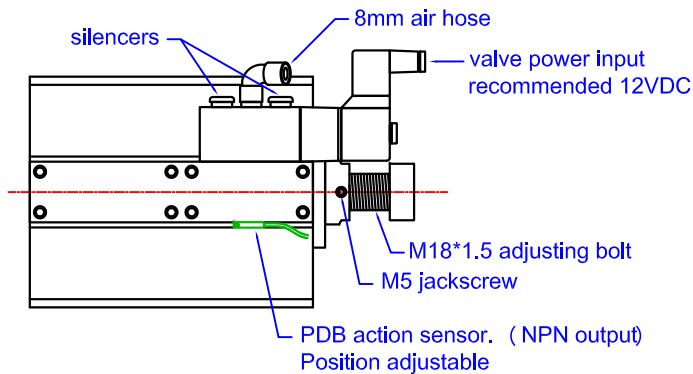
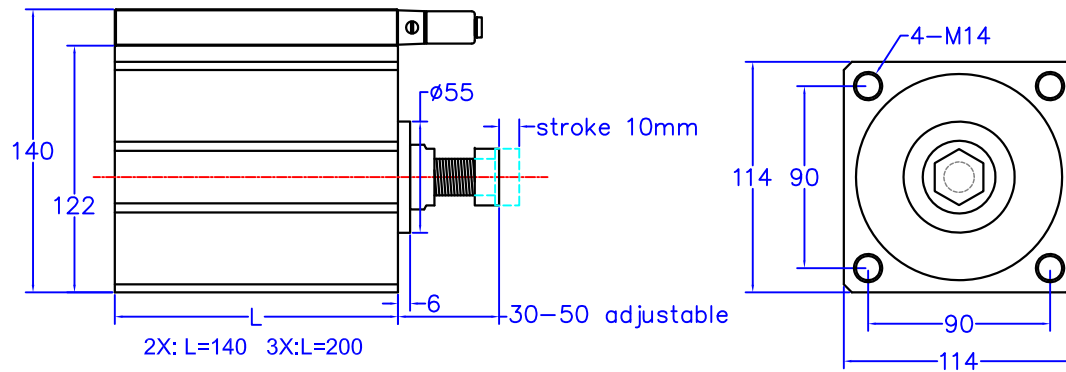


## PENUMATIC POWER DRAWBAR DATASHEET

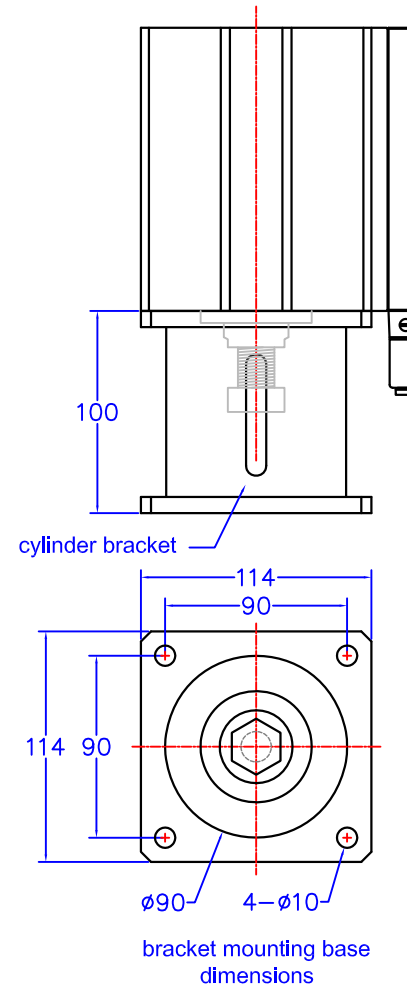
### PDB100-2X/3X

application demo with  
BT30-90 spindle unit

### Pneumatic Cylinder Part



**SPECIFICATIONS:**  
 UNITS: mm  
 THRUST FORCE:  
 2X:  
 6280N at 0.4MPa  
 7860N at 0.5MPa  
 3X:  
 9420N at 0.4MPa  
 11790N at 0.5MPa  
 STROKE: 10mm  
 AIR HOSE: 8mm  
 VALVE VOLTAGE: 12VDC  
 24VDC / 220VAC OPTIONAL



Adjust the bolt to fit drawbar travel distance

The space between L=10-spindle gripper travel distance

Lock the jackscrew after adjusting

